



For proper installation and best possible fit, please read all instructions BEFORE you begin.

Important Information

BEFORE you begin the installation process:

- Carefully read all instructions.
- Verify that all parts are included by checking the contents of your kit.

If any parts are missing or appear damaged, please contact our customer service team for assistance.

Customer Service

For support, please contact the Putco team, available Monday to Friday 8:30 AM to 5PM (Central Time).

1 800 247 3974

support@putco.com

Recommended Tools + Supplies

| | |
|---------------|--|
| 5/32" Hex Key | |
|---------------|--|

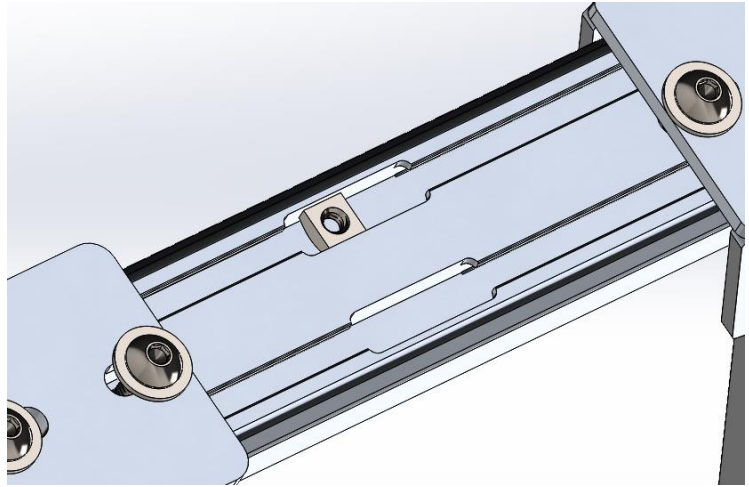
Kit Contents

| | | |
|--------------------------------|--------------------------|------------------|
| 2 x Tec Bar | 4 x Tec Caps | 4 x Claw Bracket |
| 32 x 1/4"-20 0.75" Long Screws | 32 x 1/4"-20 Square Nuts | |

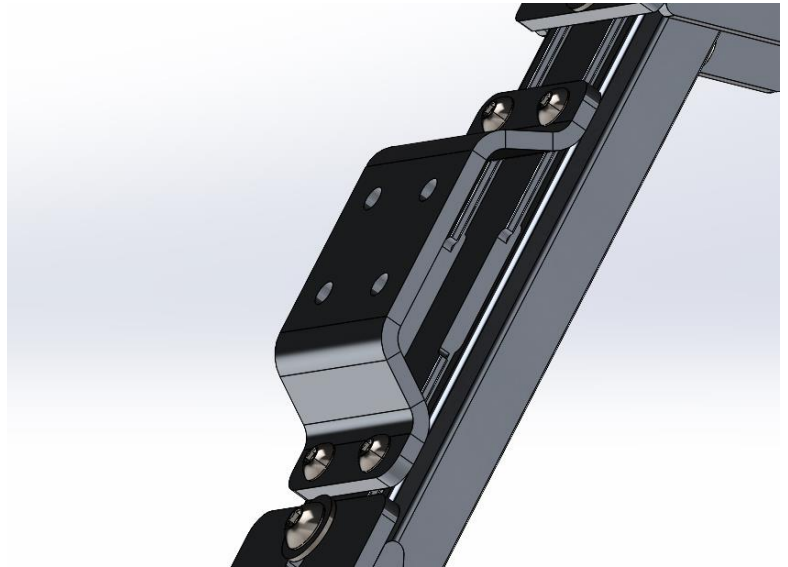
Step by Step Installation (Tec Rack Cross Rails)

1. Locate the slot in the channel as seen in the figure. Insert square nuts here for mounting.

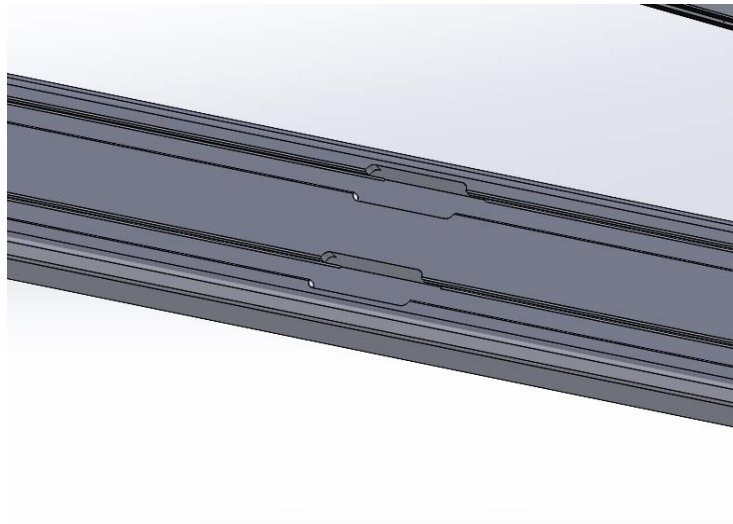
NOTE: If mounting to one of the uprights, use a screwdriver or similar to hold them in place.



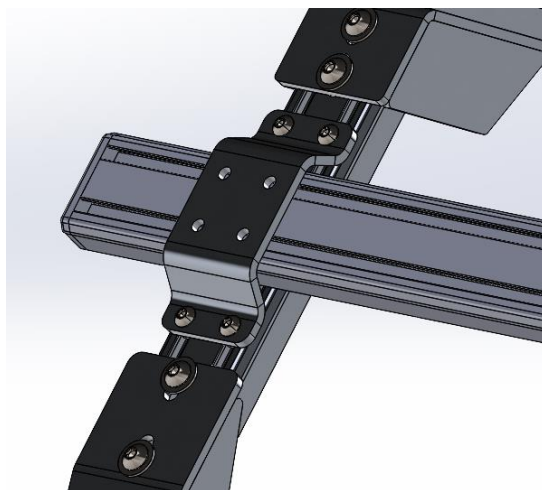
2. Mount the bracket using the 1/4"-20 screws.



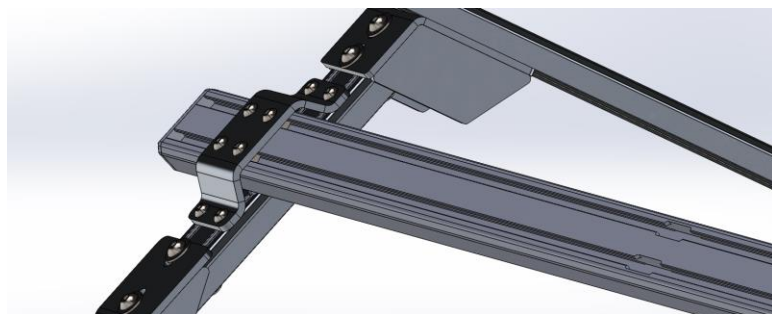
3. Locate the channel on the cross rail and insert the square nuts.



4. Slide the cross rail so that it aligns with the claw bracket.

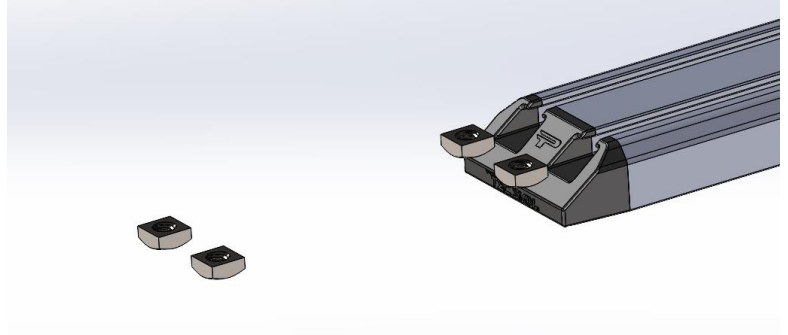


5. Use the 1/4"-20 screws to secure the cross rail to the claw bracket. Repeat on the other side.

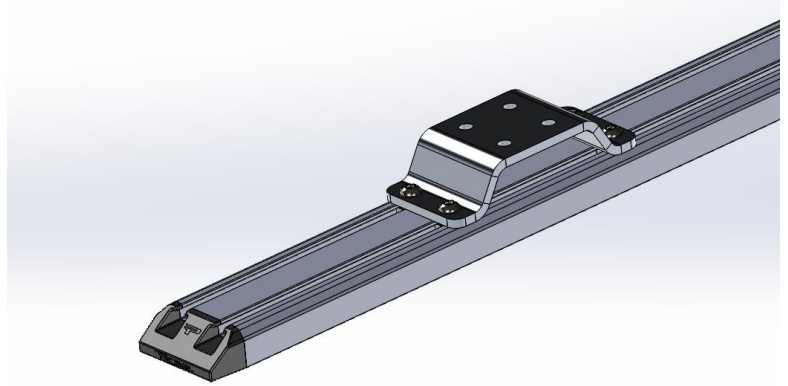


Step by Step Installation (Flush Mount Cross Rails)

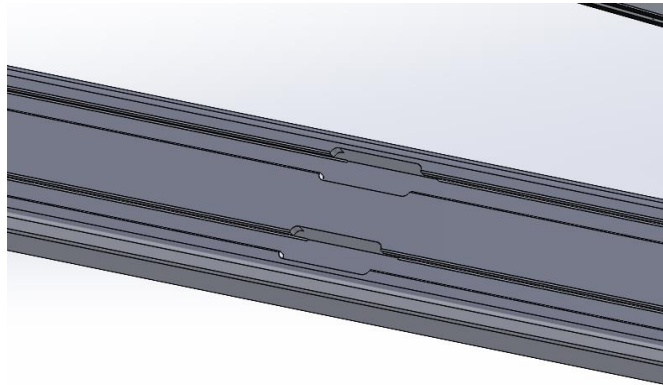
1. Insert the square nuts into the tec skin as shown in the figure.



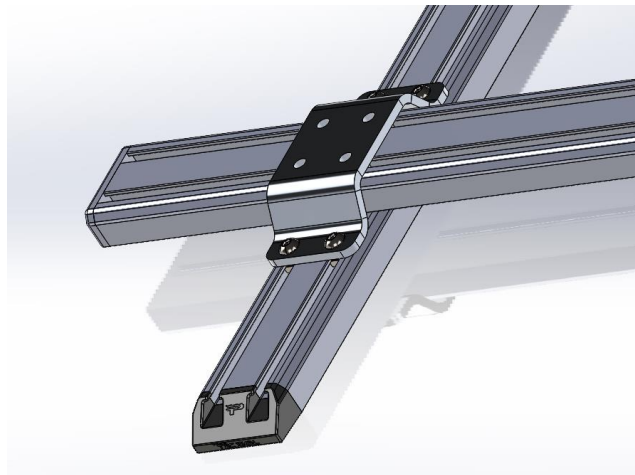
2. Mount the bracket using the 1/4"-20 screws.



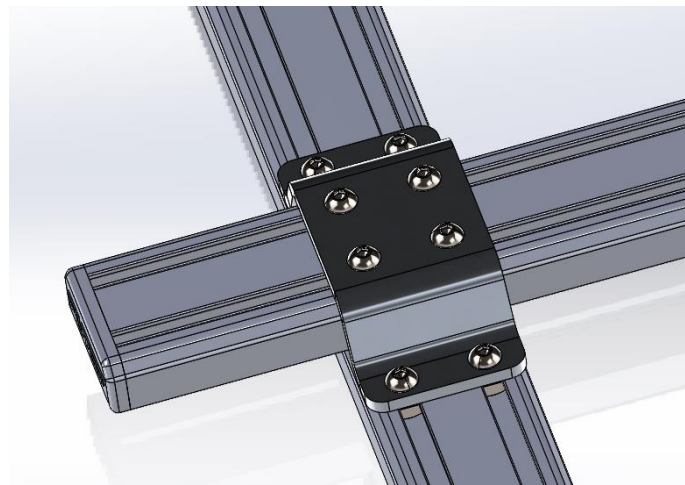
3. Locate the channel on the cross rail and insert the square nuts.



4. Slide the cross rail so that it aligns with the claw bracket.



5. Use the 1/4"-20 screws to secure the cross rail to the claw bracket. Repeat on the other side.



Congratulations on completing the installation of your Putco product!
For information regarding your warranty, please visit
www.putco.com/warranty.

Issues? Please Contact Our Technical Support Team:
1 800 247 3974



WARNING: Final Inspection required. Inspect product was properly Installed and all installation instructions were followed.



For additional information, please visit
our website at www.putco.com!