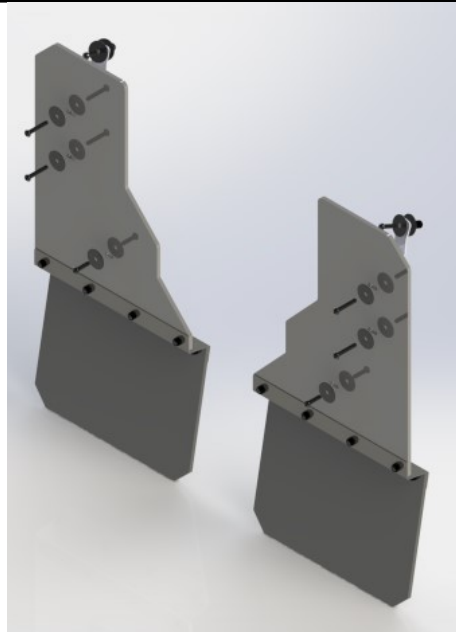




# PUTCO Ford F150 Rear Mud Skins



Congratulations on your purchase of a high quality PUTCO product. Should you need any application or technical assistance, feel free to call us at:

**1-800-247-3974**

Monday-Friday 8:00am - 5:00pm (Central Standard Time)  
Contact your PUTCO® dealer for other quality accessories.



**PLEASE READ ALL INSTRUCTIONS BEFORE INSTALLATION AND CHECK TO SEE THAT ALL PARTS ARE INCLUDED**

Quantity	Hardware	Required Tools
2	Rear Mud Skins	5/32 Hex Wrench
2	Rear Clamp Bracket	7/16 Wrench
4	1/4"-20 Locknut	
4	1/4"-20 Screws 1"	
4	1/4"-20 Screws 1.5"	
10	1/4" Washer	



**1** Begin by removing the trim clip located in the rear fender shown in figure 1.

**2** Mount the bracket shown in figure 2 to the hole in figure 1. The bracket should orient as seen in figure 2.

**3** Use the 1" screw to secure in place. See figure 3 for mounting.



Figure 1.



Figure 3.

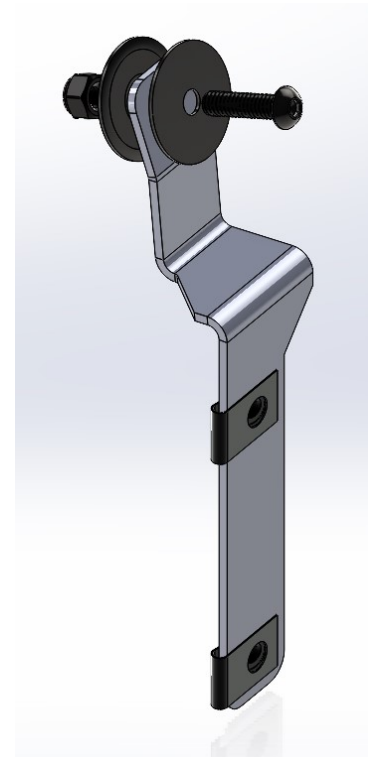


Figure 2.



**4**

Begin mounting the mud skin by using the factory hole location and the 1/4-20 screws that are 1" in length at the bottom of the fender shown in figure 4.

**5**

Use the 1.5" long screws to mount the mud skin to the bracket as shown in figure 5.

**6**

Repeat this process for other side of the vehicle.



Figure 4.

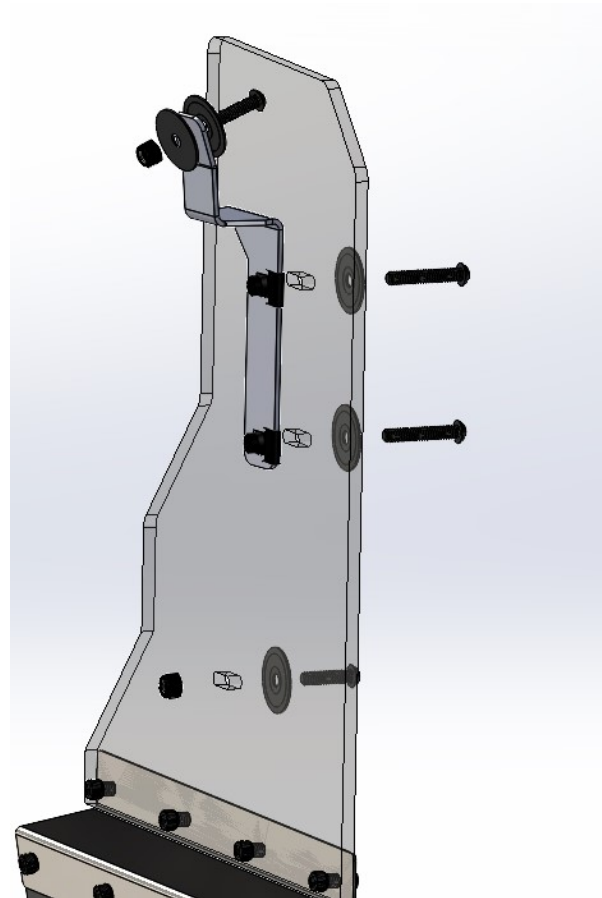


Figure 2.