

2023+ Ford Super Duty Bumper Grille Insert

Congratulations on your purchase of a high quality PUTCO product. Should you need any application or technical assistance, feel free to call us at: 1-800-247-3974

Monday-Friday 8:00 a.m. - 5:00 p.m. (Central Standard Time)

Contact your PUTCO dealer for other quality accessories.

Please read all instructions before installation and to check to see that all parts are included.

KIT CONTENTS:	
Description	Qty.
Grille Insert	1

Tools Needed:

- Trim Removal Tool

1. Begin by removing the four trim clips using a trim removal tool as seen in figure 1.



Figure 1.

2. Locate the grill insert and orient it to match figure 2.

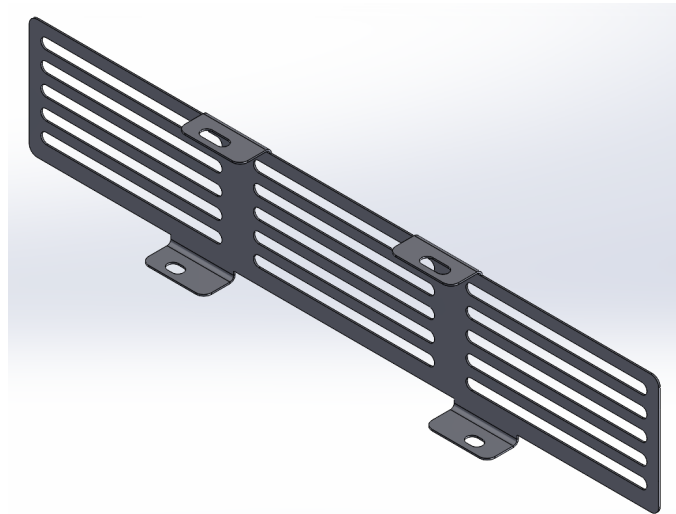


Figure 2.

Putco guarantees its Stainless Steel and Aluminum products against defects in workmanship and material for as long as you own your vehicle. All painted products have a 90 day warranty on the painted surface. Any defects resulting from faulty material or workmanship will be warranted by Putco and repaired or replaced at our discretion. Putco assumes no extra labor costs. Damages caused by freight carriers, improper installation, misuse, collision, or neglect will not be warranted by Putco.

3. Insert the grill so that the bottom tabs slot in between the plastic trim piece and the bumper as seen in figure 3.



Figure 3.

4. Once the bottom tabs are in place, reinstall the bottom trim clips that were removed in step 1.

5. Pull the top tabs until they align with where the trim clips were removed as seen in figure 4.



Figure 4.

6. Reinstall the top trim clips and enjoy your grill insert

Putco guarantees its Stainless Steel and Aluminum products against defects in workmanship and material for as long as you own your vehicle. All painted products have a 90 day warranty on the painted surface. Any defects resulting from faulty material or workmanship will be warranted by Putco and repaired or replaced at our discretion. Putco assumes no extra labor costs. Damages caused by freight carriers, improper installation, misuse, collision, or neglect will not be warranted by Putco.