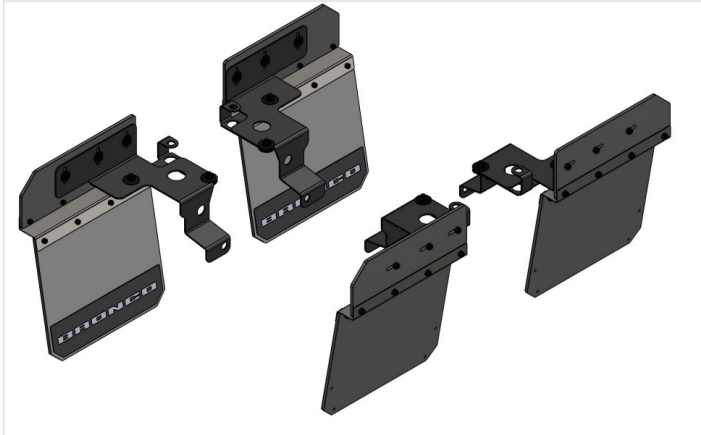




PUTCO Ford Bronco Mud Skins



Congratulations on your purchase of a high quality PUTCO product. Should you need any application or technical assistance, feel free to call us at:

1-800-247-3974

Monday-Friday 8:00am - 5:00pm (Central Standard Time)
Contact your PUTCO® dealer for other quality accessories.



PLEASE READ ALL INSTRUCTIONS BEFORE INSTALLATION AND CHECK TO SEE THAT ALL PARTS ARE INCLUDED

Quantity	Hardware	Required Tools
2	Front mud skin	15-mm socket with impact driver
2	Rear mud skin	15-mm wrench 13-mm wrench



1 Begin by locating the front set of mud skins which can be seen in figure 1.

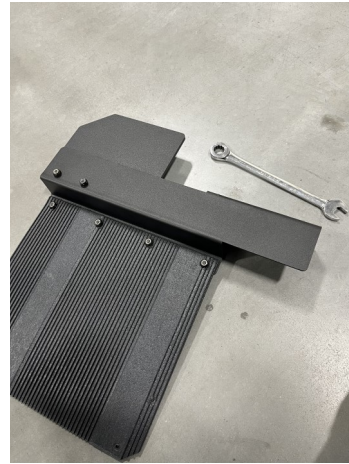


Figure 1.

2 Locate the crash bar behind the front tire and remove the two screws using a 15-mm wrench as seen in figure 2.



Figure 2.

3 Once both screws have been removed, place the front mud skin over the crash bar and line up the holes of the bracket with the crash bar as seen in figure 3.

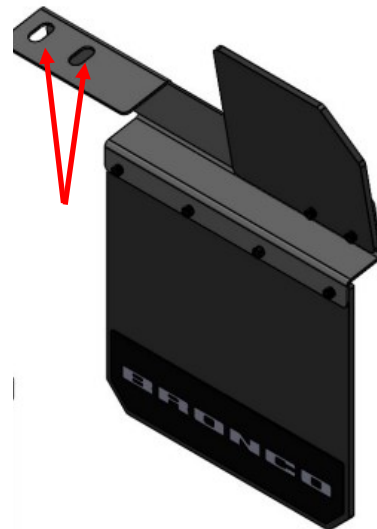


Figure 3.

4 Insert the two screws that were removed in step 2 and tighten to secure front mud skin.



5 Next move to the rear of the vehicle and locate the frame mount directly in front of the rear bumper as seen in figure 4.



Figure 4.

6 Using a 13-mm wrench loosen the two bolts shown in figure 5.



Figure 5.

7 Using a 15-mm socket (Impact driver recommended) remove the bolt shown in figure 6.

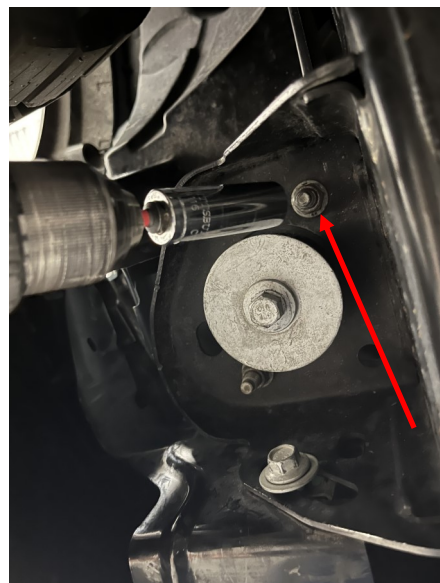


Figure 6.

8

Begin mounting the rear mud skin by inserting the two bolts removed in step 6 as shown in figure 7a. Proceed to use a 15-mm socket to insert the nut removed in step 7 as shown in figure 7b.



Figure 7a & b.

9

Enjoy your new mud skins for your ford bronco.



Figure 8.