

• T A I L G A T E •

MOLLE PANELS

- MODULAR LIGHTWEIGHT LOAD CARRYING EQUIPMENT -

INSTRUCTION GUIDE



1-800-247-3974

Monday-Friday 8:00am - 5:00pm (Central Standard Time)
Contact your PUTCO® dealer for other quality accessories.



**PLEASE READ ALL INSTRUCTIONS BEFORE INSTALLATION
AND CHECK TO SEE THAT ALL PARTS ARE INCLUDED**

REQUIRED TOOLS



T20 Torx Drive



Flathead Screwdriver



1/8 Hex Key

CONTENT LIST

DESCRIPTION	QTY
Molle Tailgate Plate	1
10-32 X 2" Button Head Bolt	8-16
#10 Washer	8-16
1" Spacer	8-16
10-32 Well Nut	8-16
#10 Oversized Washer (Nissan Titan ONLY)	11



Installation Instructions:

1 Check the contents of the kit. Make sure the number of Bolts, Washers, Spacers, and Well Nuts matches the number of holes in the molle panel.

2 Remove the access panel on the tailgate using T20 Torx driver.

3 Locate and remove the screw retainers from the tailgate using the flathead screwdriver(Figure 1).

4 Insert the well nuts into the holes where the screw retainers were, and replace the tailgate access panel (figure 2).

5 Insert the 10-32 bolts through the molle plate and the spacers as shown in the figure below. For the Nissan Titan/ Frontier, place the oversized washers between the spacer and the tailgate access panel. Thread the bolts into the well nuts (figure 3).



Figure 1: Screw Retainer



Figure 2: Well nut placement

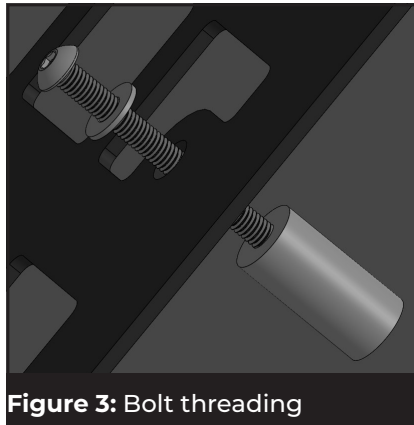
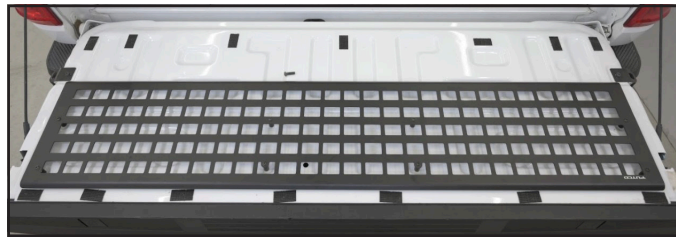


Figure 3: Bolt threading

- 6** With the tailgate plate in place, check that all fasteners are tight. All the bolts should be snug, but do not overtighten. The installed tailgate molle plate should look like the figure below.



**Your new MOLLE Panel is now
successfully
installed on your vehicle!**